

# Product End-of-Life Instructions

Product Range: Desking System and AL Panel System

## List of Models Applicable

- Synergy
  - Perform
  - Colours
  - Collabrate
  - Connect
  - AL 60 Panel System
- Desking System



## Purpose:

The product family must be disposed according to the legislation of the country. This document is intended for use by end of life recyclers or treatment facilities. It provides the basic information to assure an appropriate end of life treatment for the components and materials of the product.



Desking System



Panel System

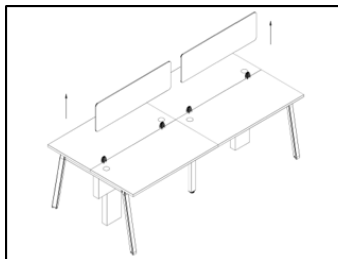
## Operations Recommended for End Of Life of the Product

There are several steps to process the products at the end of life so as to recover components or Materials

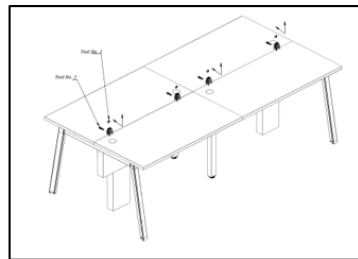
The components of the products that optimize the recycling performances are listed, identified and located hereunder.

### Disassembly Instruction – Desking System

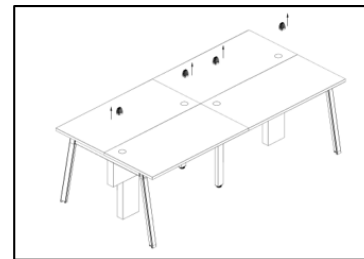
1. Remove the Glass Screen from the Product as per the instruction provided. Place the screen into the appropriate recycling waste stream. (Glass)
2. Disassemble the AI Screen Holders as per the instructions provided and place them into the appropriate recycling waste stream. (Metal - Aluminum)
3. Dismantle Table Top as per work disassembly work instruction and place them into the appropriate recycling waste stream (Wood)
4. Disassemble cross beams and vertical legs as per work instruction and place them into the appropriate recycling waste stream (Metal – Mild steel)



SCREEN REMOVAL



SCREEN HOLDER SCREWS REMOVE



SCREEN HOLDER REMOVE

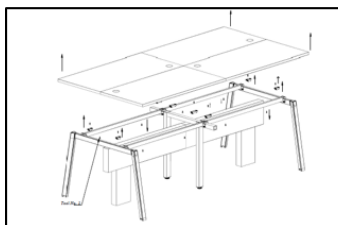
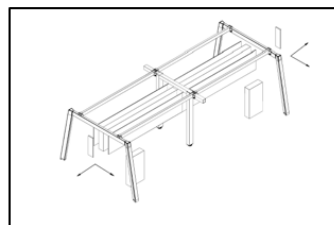
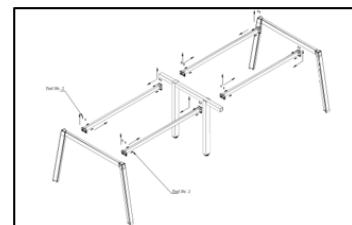


TABLE TOP & SPACER REMOVAL



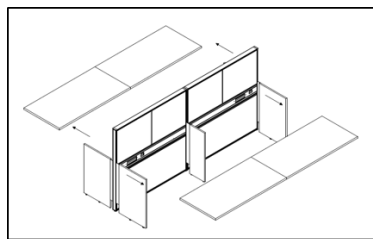
RACEWAY/SIDE TRIM REMOVAL



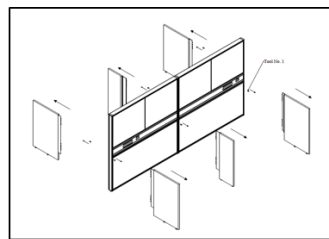
CROSS BEAM & LEG ASSEMBLY REMOVAL

## Disassembly Instruction – Panel System

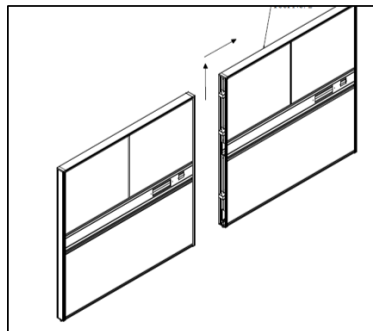
1. Remove the Table Top and Gable End from the Product as per the instruction provided. Place the screen into the appropriate recycling waste stream. (Wood)
2. Disassemble the Al panel system as per the instructions provided and place them into the appropriate recycling waste stream. (Metal - Aluminum)
3. Dismantle Aluminum trims as per work disassembly work instruction and place them into the appropriate recycling waste stream (Metal – Aluminum)
4. Dismantle Metal Loose components as per work instruction and place them into the appropriate recycling waste stream (Metal - Steel)



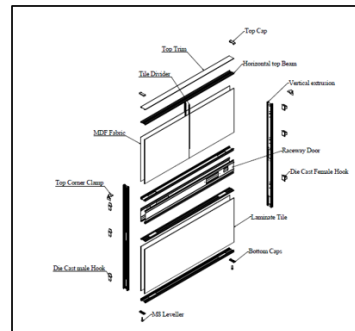
REMOVE TABLE TOP



REMOVE GABLE END



REMOVE MAIN SPINE



REMOVE CHILD COMPONENTS

Recycling/scrap agencies have been identified and intimated for assistance.  
The list is appended below:

<b>Recycling Facilities In India</b>				
<b>Featherlite Location</b>	<b>Company</b>	<b>Address</b>	<b>Nearest (Recycling) SCRAP Facility &amp; Address</b>	<b>Material</b>
<b>South</b>				
<b>Banaglore</b>	M/S R.B.M Enetrprises,	No. 98, 4th Cross, Arekempanhalli, Someshwara Nagar,Bangalore 560011	No. 98, 4th Cross, Arekempanhalli, Someshwara Nagar,Bangalore 56001- Mehfuz 080 69728250, Dial Ext. 582 When conneted	<b>Wood</b>
<b>Banaglore</b>	M/s ZAM ZAM Enterprises	No. 156, 12th Cross, Doddana Industrial Area, Hegganahalli, Bangalore 560 091	No. 156, 12th Cross, Doddana Industrial Area, Hegganahalli, Bangalore 560 091 - S yed Zameer (Owner) 080 48250551, Dial Ext. 204 When conneted	<b>Metals</b>
<b>Banaglore</b>	M/s B.M Metal mort	No. 12/1, CM Lane Jolly Mohalla, Bangalore - 560 053	No. 12/1, CM Lane Jolly Mohalla, Bangalore - 560 053 Shaik Sultan ((Proprietor) 080 47301041	<b>Aluminium</b>
<b>Banaglore</b>	M/s M.H.T Tabassum Traders	No. 31, Chikka Basthi 2nd Cross, Ramasandara Main, Banaglore -560 056	No. 31, Chikka Basthi 2nd Cross, Ramasandara Main, Banaglore -560 056 - Mohammed Touheed (Owner) 080 68499993 Ext.061	<b>Plastics &amp; Wood</b>
<b>Secunderabad</b>	Choice Marketing Company (Franchisee)	#100, Rashtrapathi Road, Secunderabad - 500 003 Andhra Pradesh	<b>Kohinoor Traders</b> Shop No. 8-3-168/H/3, Sanman Hotel Lane Erragadda, Hyderabad - 500 018 Farooq G.S +(91)-40-67110964	<b>Plastic</b>
<b>Vijayawada</b>	Colour Care Chandralok (Dealer)	Commercial Complex, K.P.Nagar, Near Stella College Vijayawada - 520 008 Andhra Pradesh	<b>Expert Metals</b> Shop No. 302, Venus Enclave Enigineer Colony, Yellareddy Guda, Hyderabad, A.P, India Shaik Rafi +(91)-9866017873, +(91)-40-23731627	<b>Wood</b>
<b>Visakhapatnam</b>	The Decograph Interiors (Dealer)	Udyog Bhavan Block 'A', Vuda Complex Siripuram, Visakhapatnam - 530 003 Andhra Pradesh	<b>Baba Iron Scrap Merchant</b> 9-61-25, BRP Road, Islampet, Vijayawada - 520 001 +(91)-(866)-2522654	<b>Iron</b>
<b>West</b>				
<b>Goa</b>	Newways Office Works (Dealer)	Opp. Army House, Altinho, Panjim, Goa - 403 001	<b>Balaji Scrap</b> Serve No. 203/1 Mushirwada Village, Kolval Village, Goa Head Post Office, Goa - 403 001 Mr Bala Naidu/Mr Ghulam Gaus +(91)-9323022005	<b>Metals</b>
<b>Mumbai</b>	Featherlite Collections	Nirlon House, West Wing, 1st Floor, 254-B, Dr.Annie Besant Road, Worli, Mumbai - 400 030	<b>Victor Plastics</b> No. 9/5, Royapuram, Kasimedu Signal, Jeevarathinam Salai, Chennai - 600 011 Mr Fedrick V +(91)-44-32560349	<b>Plastics &amp; Wood</b>
<b>North</b>				
<b>New Delhi</b>	Supertech (India) Pvt. Ltd., Franchisee	K-1/116, EPDP, Chitrangan Park, New Delhi - 110 019	<b>Global Steel Trading Company</b> 317B Mukand Nagar, Industrial Area, Ghariabad - 201 001 <b>(Also Serves Delhi)</b> Mr Huzer Akhtar +(91)-11-66242696	<b>All Metals</b>