

*Featherlite*<sup>®</sup>



**LIBERATE GAME**

- ▶ **WARRANTY CARD** (Register Now)
- ▶ **ASSEMBLY INSTRUCTIONS**
- ▶ **USER MANUAL**

# PARTS

---



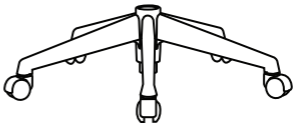
① Semi Assembled Chair (1x)



② Headrest (1x)



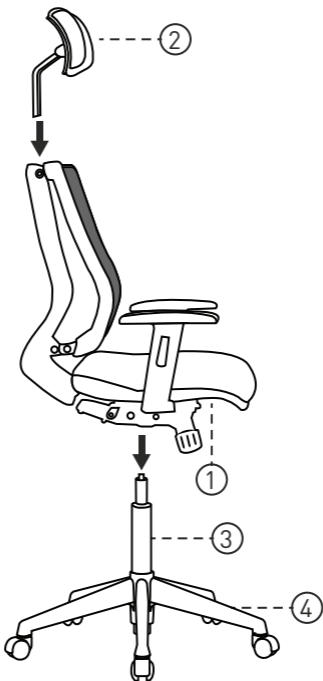
③ Gas Lift (1x)



④ Base (1x)

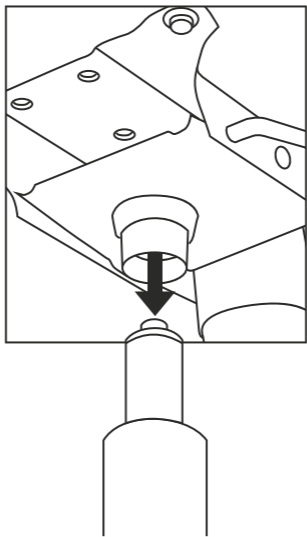
# SEMI INSTALLATION

---



## SEMI INSTALLATION

---



Fix Gas-Lift and Base

# USER MANUAL

---



Tension Knob



Adjustable arms  
with soft PU padding



Seat height  
adjustment Lever

# USER MANUAL

---



Dual Frame Flexible  
Lumbar Support



DynaFlex Mechanism

# USER MANUAL

---



Adjustable  
Headrest



Seat Slide Lever



Recline Lock Lever



ACTIVATE YOUR  
**3 YEAR**  
WARRANTY NOW



Register within 7 days after receiving  
the product to validate warranty

Scan the below QR code to register



OR

[www.featherlitestore.com/register](http://www.featherlitestore.com/register)

Use the code **LOYAL** to get a 7.5% discount on  
your next purchase on the official website.

 **080-4719-1010**