

Featherlite[®]



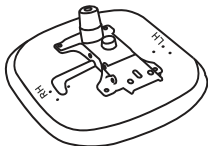
CONTACT HB

- ▶ **WARRANTY CARD (Register Now)**
- ▶ **ASSEMBLY INSTRUCTIONS**
- ▶ **USER MANUAL**

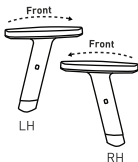
PARTS



① Chair Back (1 Qty)



② Chair Seat with Mechanism



③ Arms (1 Pair)



④ Gas-lift



⑤ Base



⑥ M6x25 (6 Qty)

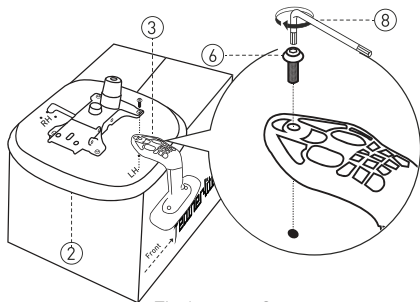


⑦ M8x20 (3 Qty)



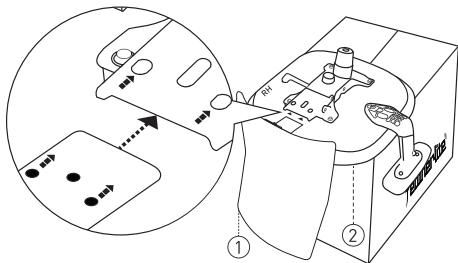
⑧ Allen Key for M6 & M8 (1 Qty)

STEP 1



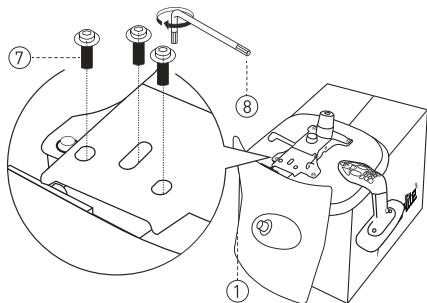
Fix Arms to Seat
(use packaging box/table surface for fixing)

STEP 2



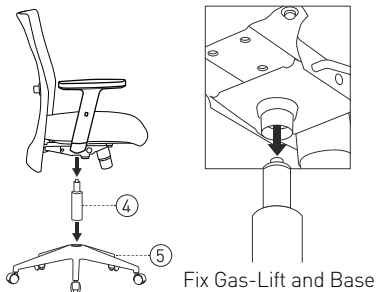
Fix Chair Back to Mechanism Seat

STEP 3



Fix Chair Back to Seat Mechanism

STEP 4



Fix Gas-Lift and Base

USER MANUAL



Adjustable Plastic
Arms



Seat height
adjustment Lever

USER MANUAL



Recline Lock Lever

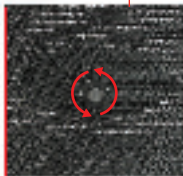


Tension Knob

USER MANUAL



Nylon Base &
Casters



Adjustable
Lumbar Support



ACTIVATE YOUR
3 YEAR
WARRANTY NOW

Register within 7 days after receiving
the product to validate warranty

Scan the below QR code to register



OR

www.featherlitestore.com/register

Use the code **LOYAL** to get a 7.5% discount on
your next purchase on the official website.

 **080-4719-1010**