

Featherlite[®]



OPTIMA MB

- ▶ **WARRANTY CARD** (Register Now)
- ▶ **ASSEMBLY INSTRUCTIONS**
- ▶ **USER MANUAL**

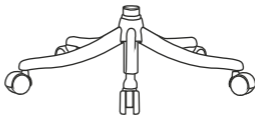
PARTS



① Semi Assembled Chair (1x)



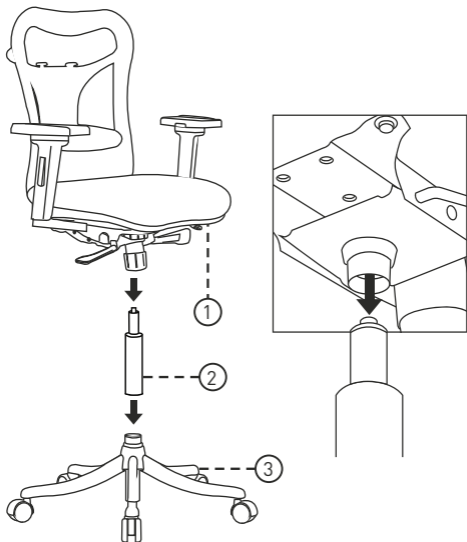
② Gas-lift



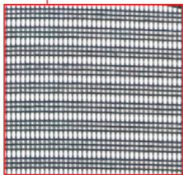
③ Base

STEP 1

Fix Gas-Lift and Base



USER MANUAL



Du point Mesh for
breathability



Fabric Upholstered
Cushion Seat

USER MANUAL



Seat Height
Adjustment Lever



3 Way
Adjustable Arms

USER MANUAL



Adjustable & Flexible
Headrest



Adjustable
Lumbar Support

USER MANUAL



Seat Slide Lever



Recline Lock Lever



ACTIVATE YOUR
3 YEAR
WARRANTY NOW



Register within 7 days after receiving
the product to validate warranty

Scan the below QR code to register



OR

www.featherlitestore.com/register

Use the code **LOYAL** to get a 7.5% discount on
your next purchase on the official website.

 **080-4719-1010**